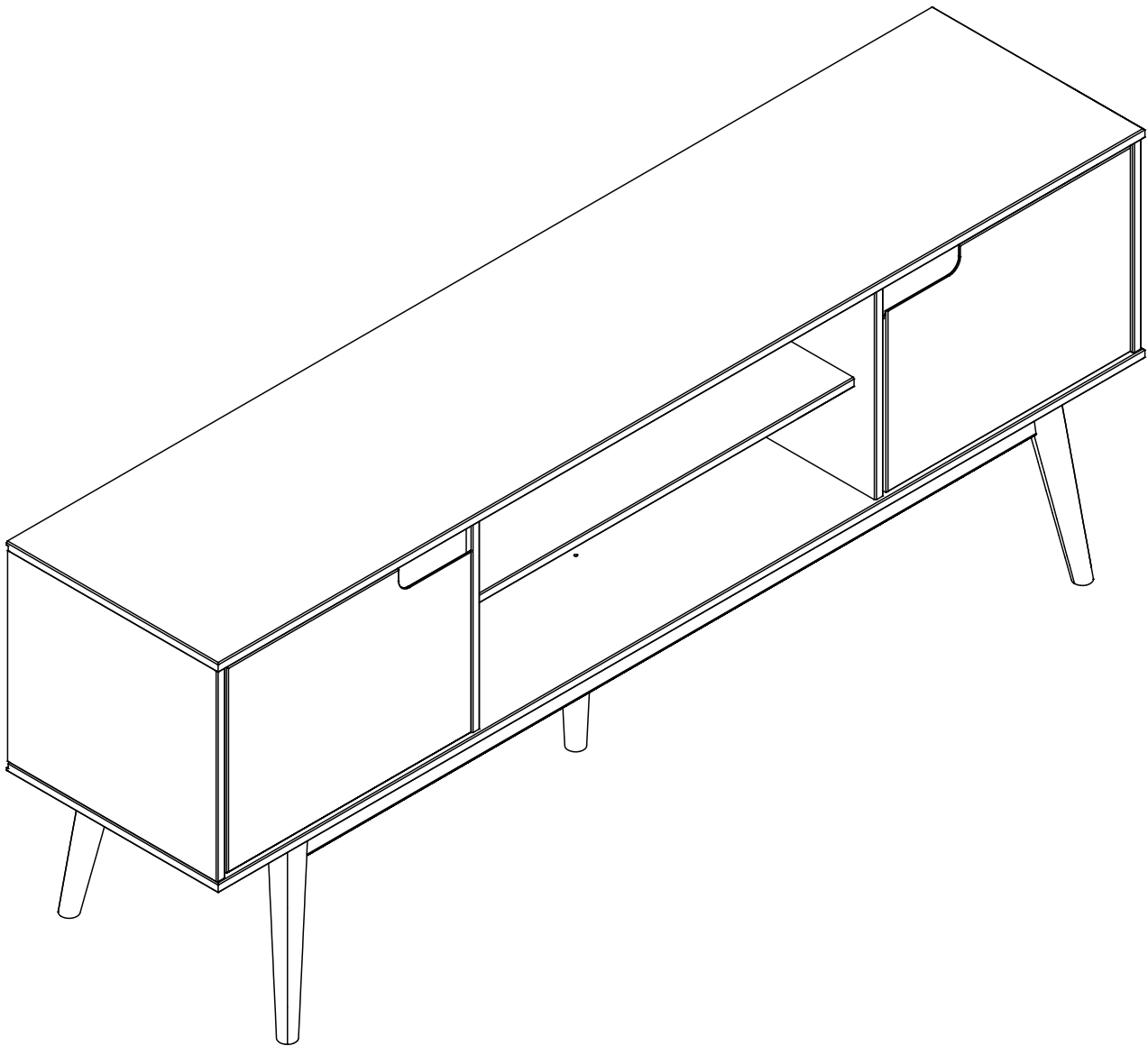


Item # : W70ADR2D

Assembly Instructions

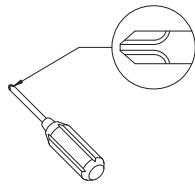


Please visit our website for the most current instructions, assembly tips, to report damage or request parts. www.walkerredson.com

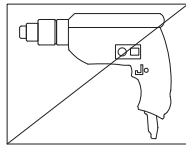
Revised 10/2020

General Assembly Guidelines

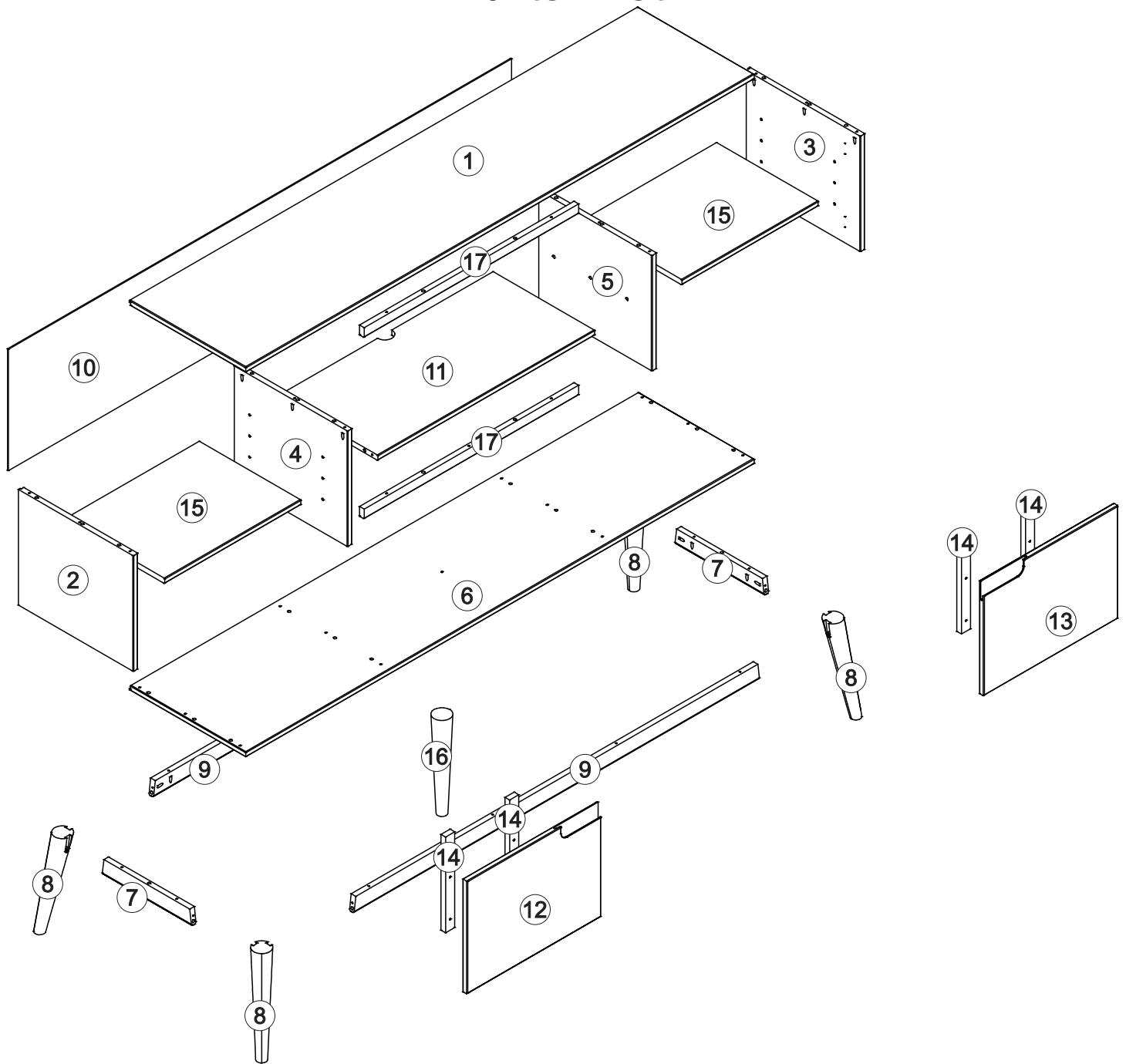
- I. Ensure that all parts and hardware are available before beginning assembly.
- II. Follow each step carefully to ensure the proper assembly of this product.
- III. Two people are recommended for ease in the assembly of this product.
- IV. The three main types of hardware used to assemble this product are wood dowels, screws and bolts.
- V. A Phillips head screwdriver is required for the assembly of this product.



- VI. Power tools should not be used to assemble this product.



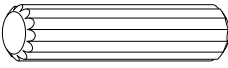
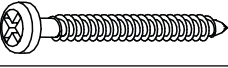


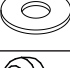
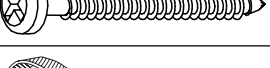

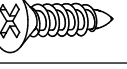
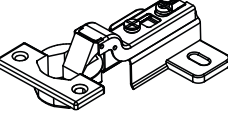
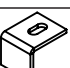
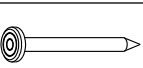
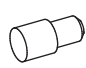



Parts List

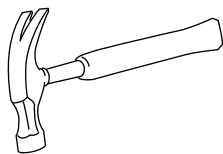


Part#	Description	Qty
1	Top panel	01 pcs
2	Right side panel	01 pcs
3	Left side panel	01 pcs
4	Left center panel	01 pcs
5	Right center panel	01 pcs
6	Base	01 pcs
7	Foot crossbeam	02 pcs
8	Foot	04 pcs

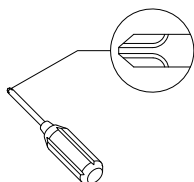
Part#	Description	Qty
9	Front / Back crossbeam	02 pcs
10	Back panel	01 pcs
11	Center shelf	01 pcs
12	Right door	01 pcs
13	Left door	01 pcs
14	Door crossbeam	04 pcs
15	Side shelf	02 pcs
16	Center foot	01 pcs
17	Reinforcement crosspiece	02 pcs

Hardware List

A		Ø8*30mm	Wooden dowel	44 pcs
B		Ø4,0*30mm	Screw	36 pcs
C		Ø4,0*40mm	Screw	13 pcs
D		Ø4,0*25mm	Screw	13 pcs
E			Washer	02 pcs
F		Ø4,5*35mm	Screw	08 pcs
G			Wall anchor	01 pc
H		Ø4,0*16mm	Screw	19 pcs
J K			Hinge	04 pcs
L			Corner	02 pcs
M		Ø10*10	Nail	22 pcs
N		Ø6*8mm	Support	08 pc
P			Ø6mm	01 pc
R			Silicone	02 pc
S			Slap Hole	05 pc



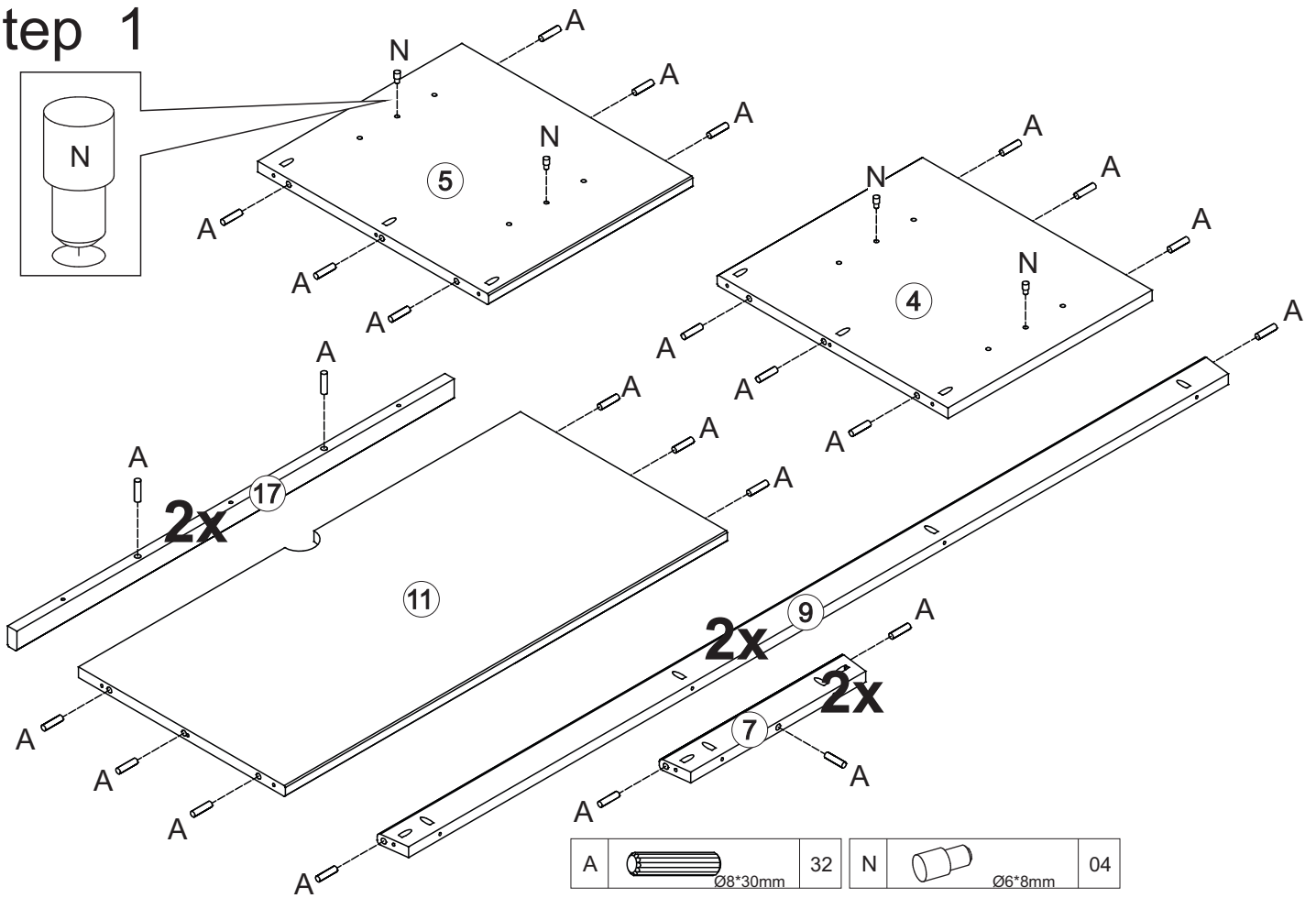
Hammer recommended for assembly
(not included)



Philips head screwdriver required for assembly
(not included)

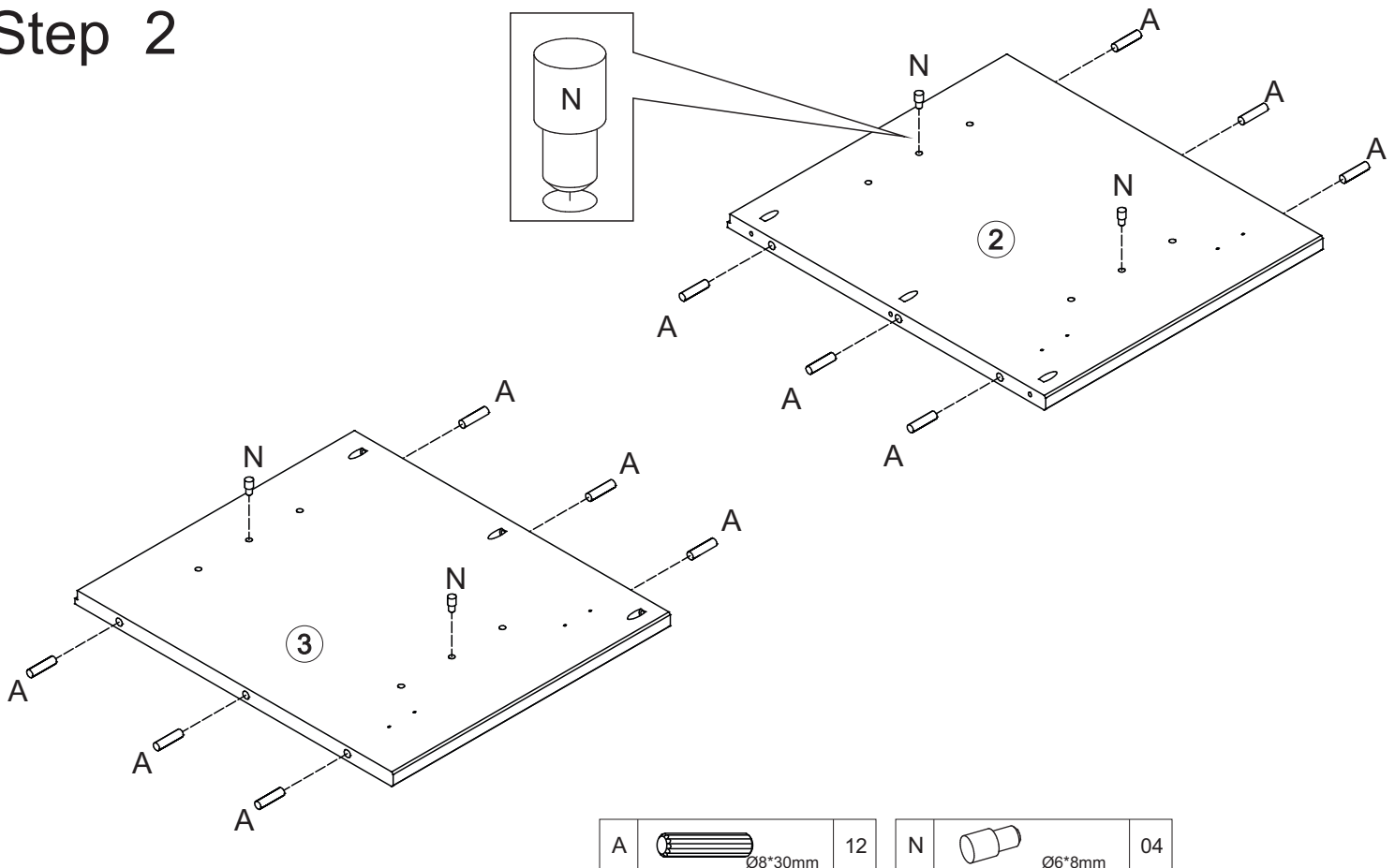
*The hardware quantities listed above are required for proper assembly.
Some extra hardware may also have been included.*

Step 1



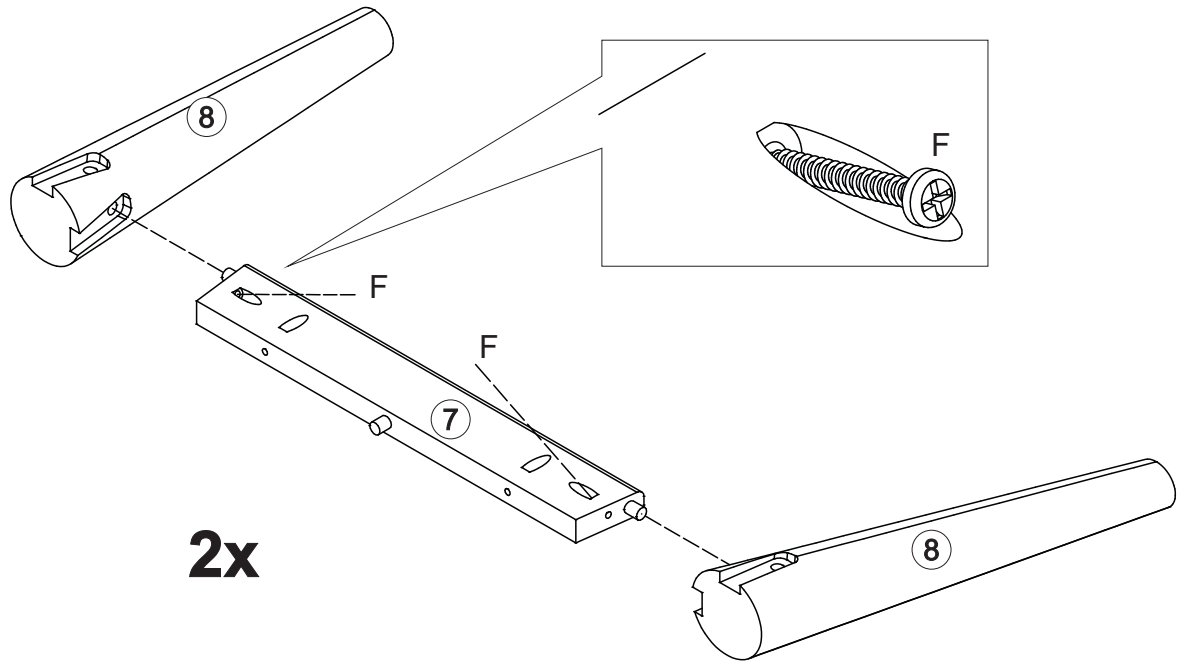
Insert Wooden dowel (A) into part (4), (5), (7), (9), (11) and (17).
Insert Support (N) into part (4) and (5).

Step 2

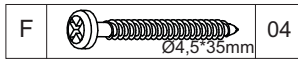


Insert Wooden dowel (A) into part (2) and (3).
Insert Support (N) into part (2) and (3).

Step 3

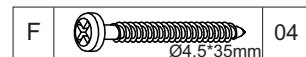
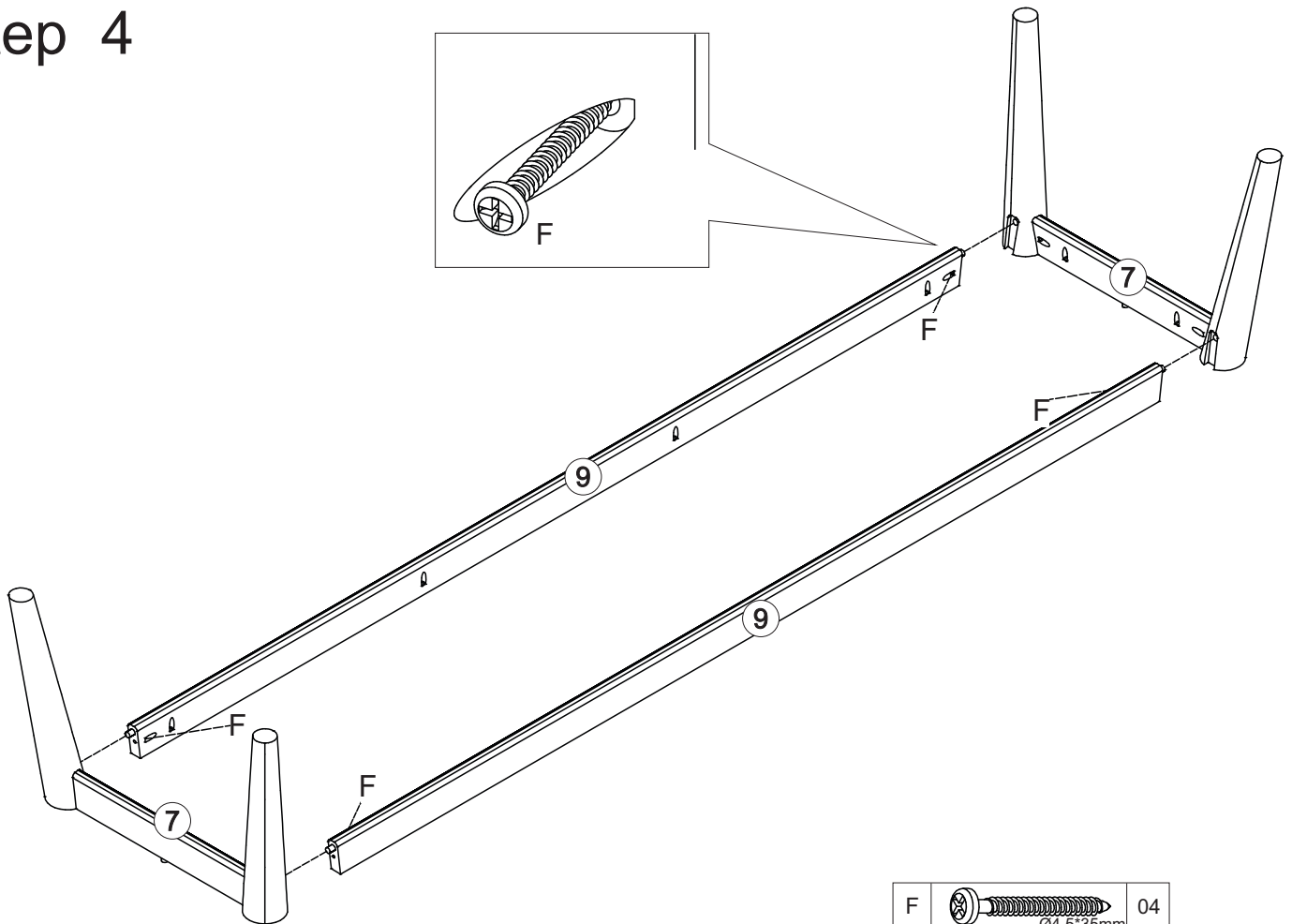


2x



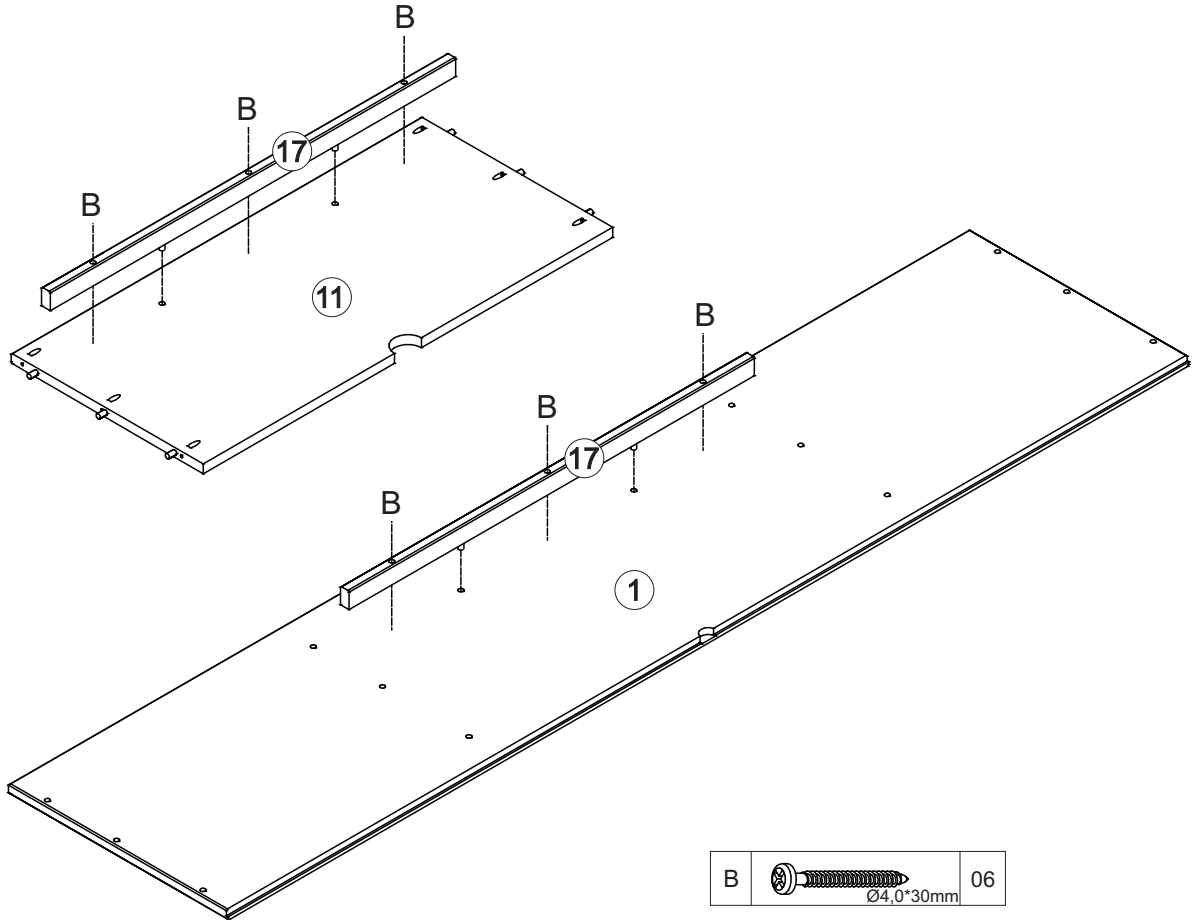
Secure part (7) to part (8) with screw (F).

Step 4



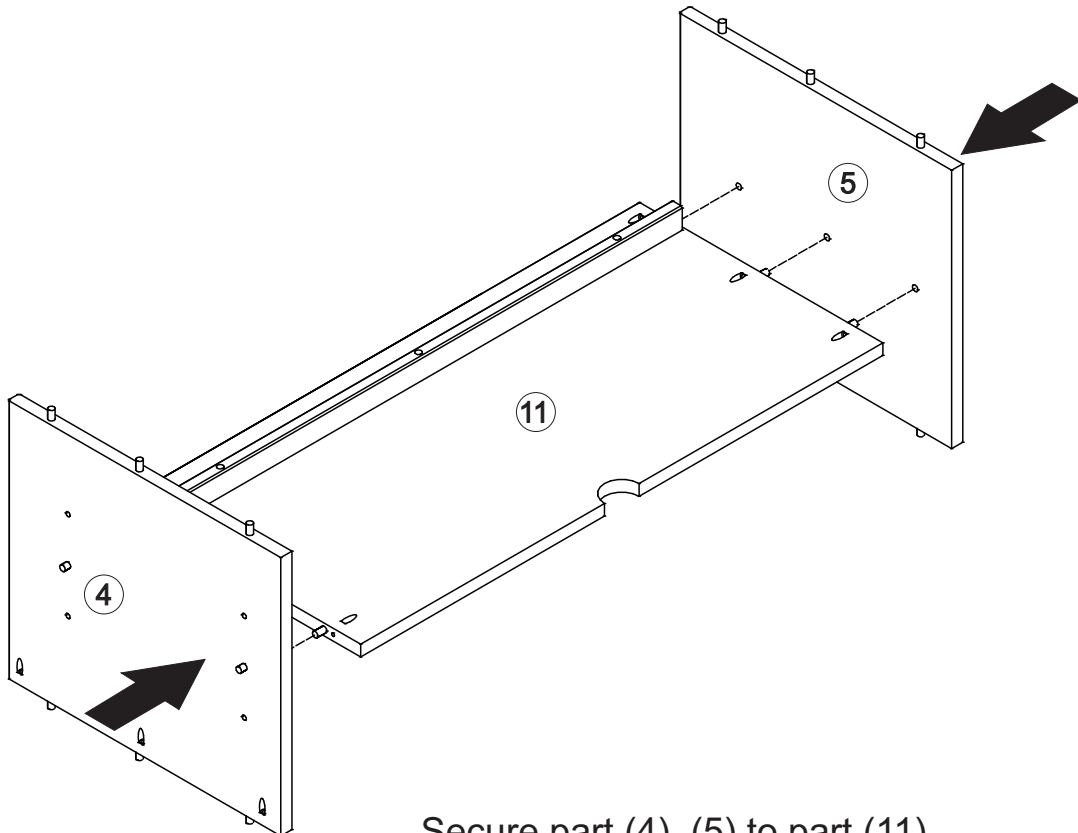
Secure part (7) to part (9) with screw (F).

Step 5



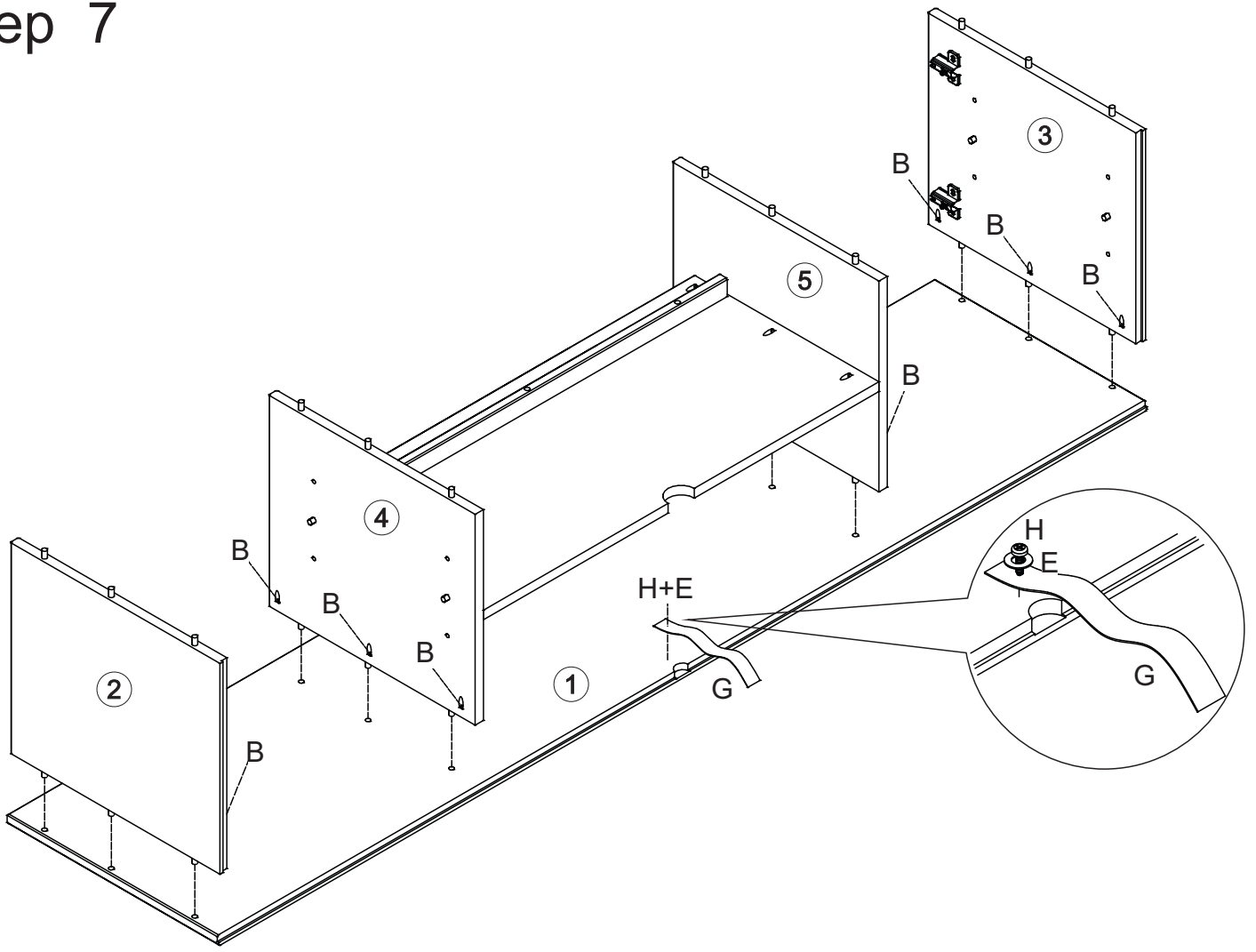
Secure part (17) to part (1) and (11) with screw (B).





Step 6



Secure part (4), (5) to part (11).

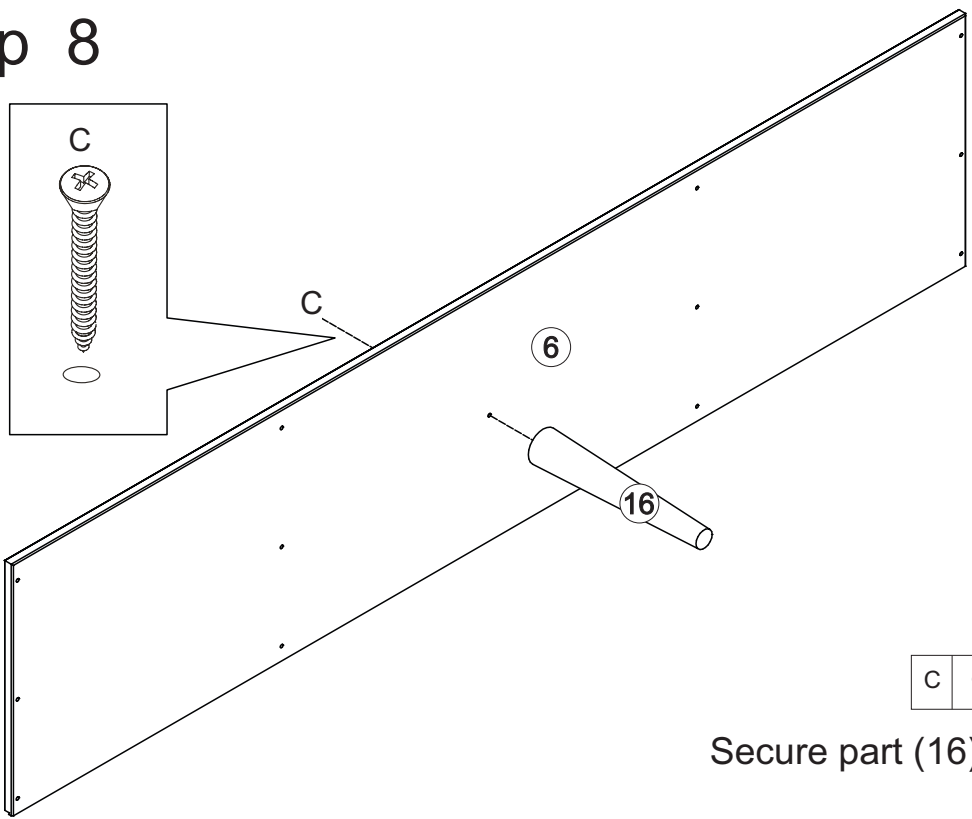
Step 7




B		12	E		01	G		01	H		01
		Ø4,0*30mm								Ø4,0*16mm	

Attach hardware (G) part (1), with screw (H+E).
Secure part (2), (3), (4), (5) to part (1) with screw (B).

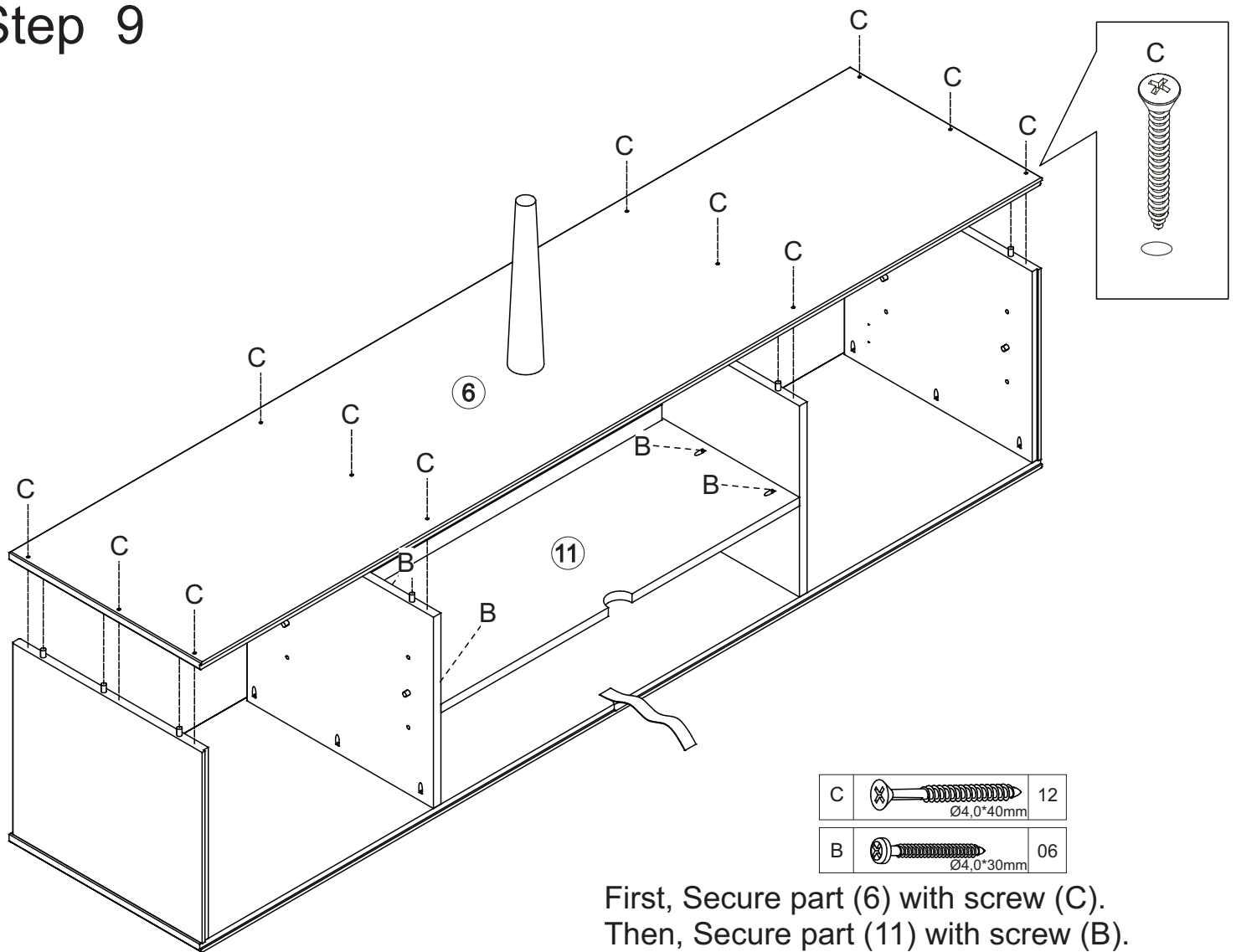
Step 8



C		01
		Ø4,0*40mm

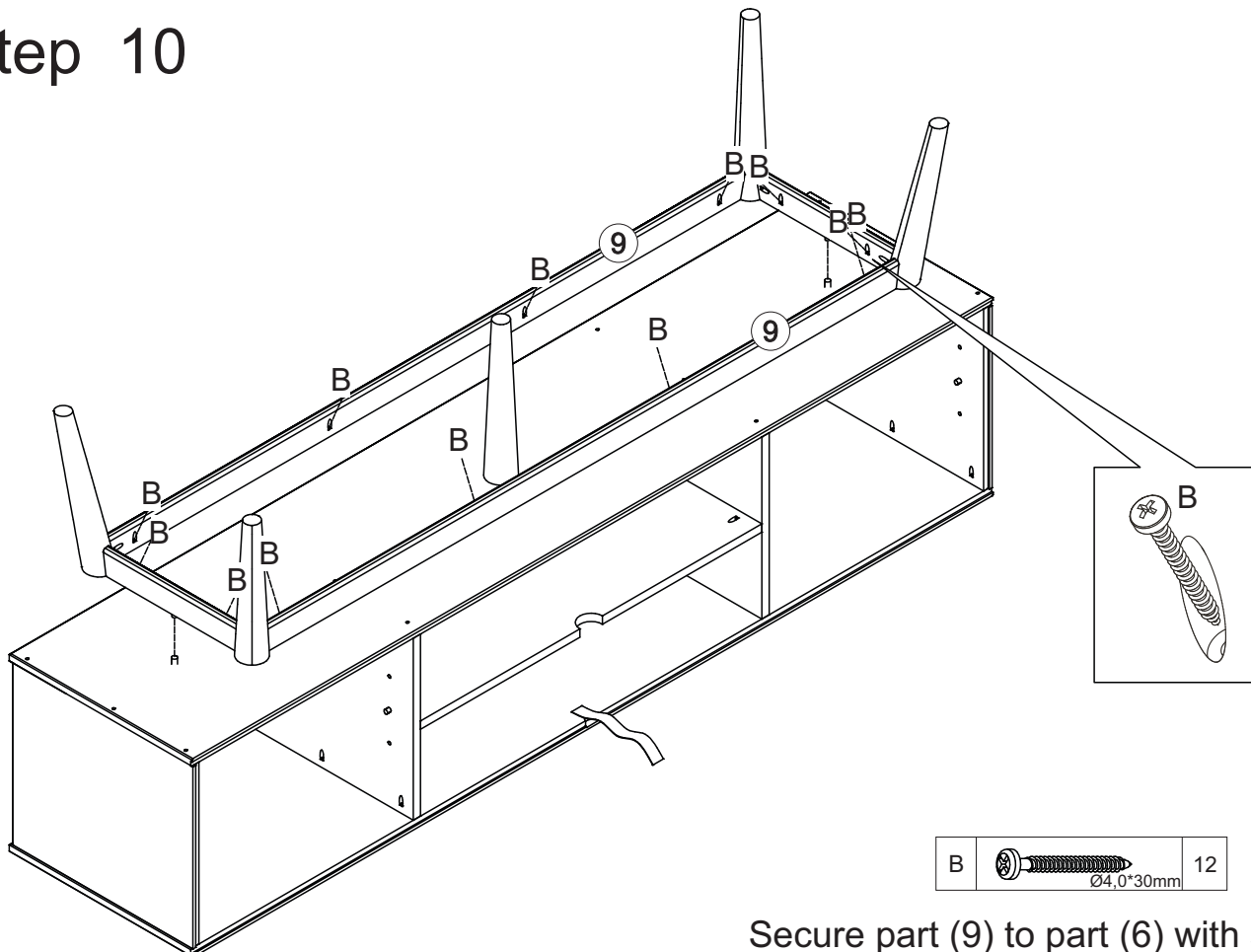
Secure part (16) to part (6) with screw (C).

Step 9



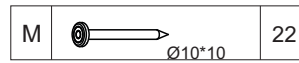
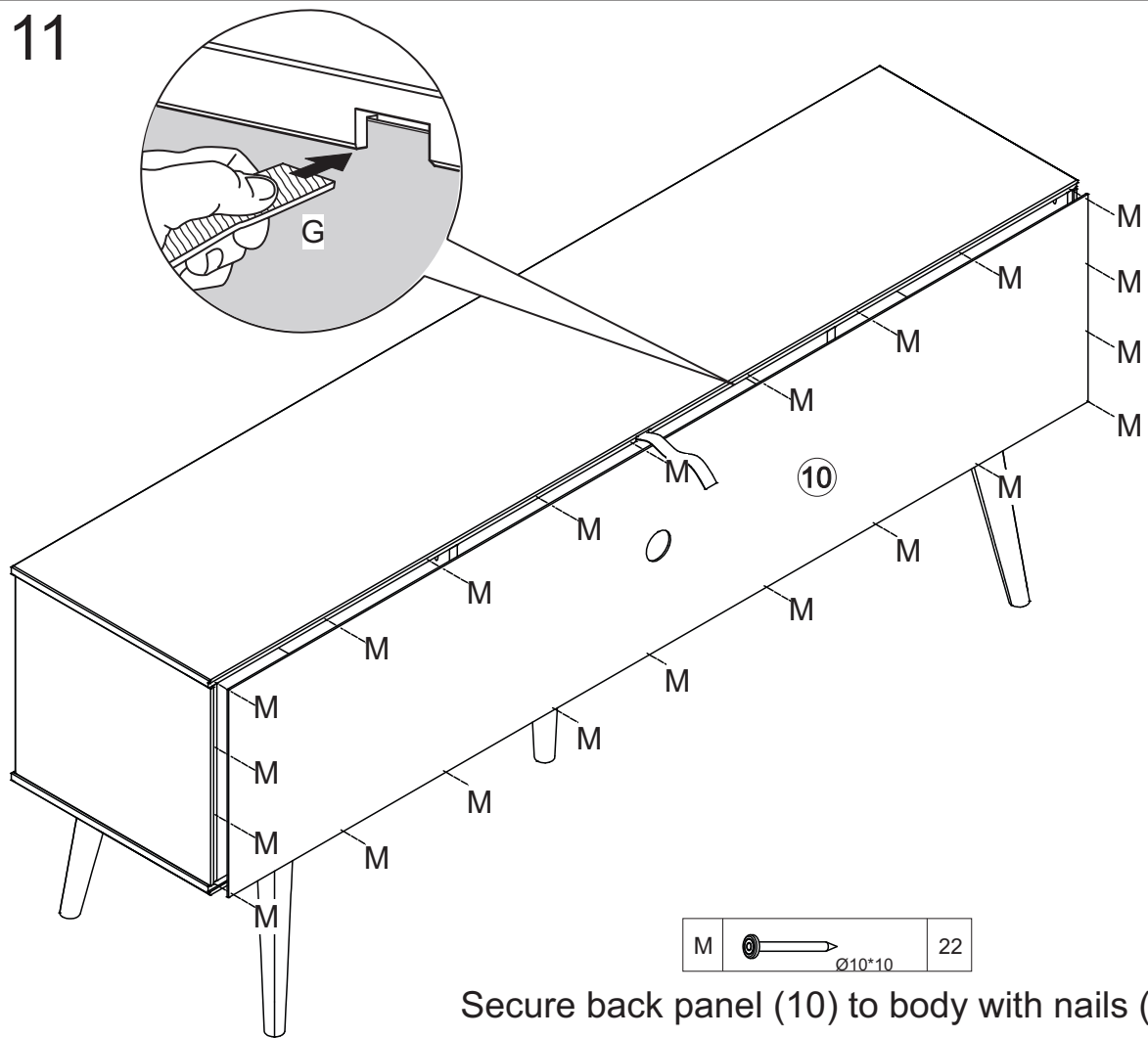
First, Secure part (6) with screw (C).
Then, Secure part (11) with screw (B).

Step 10



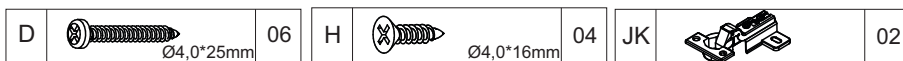
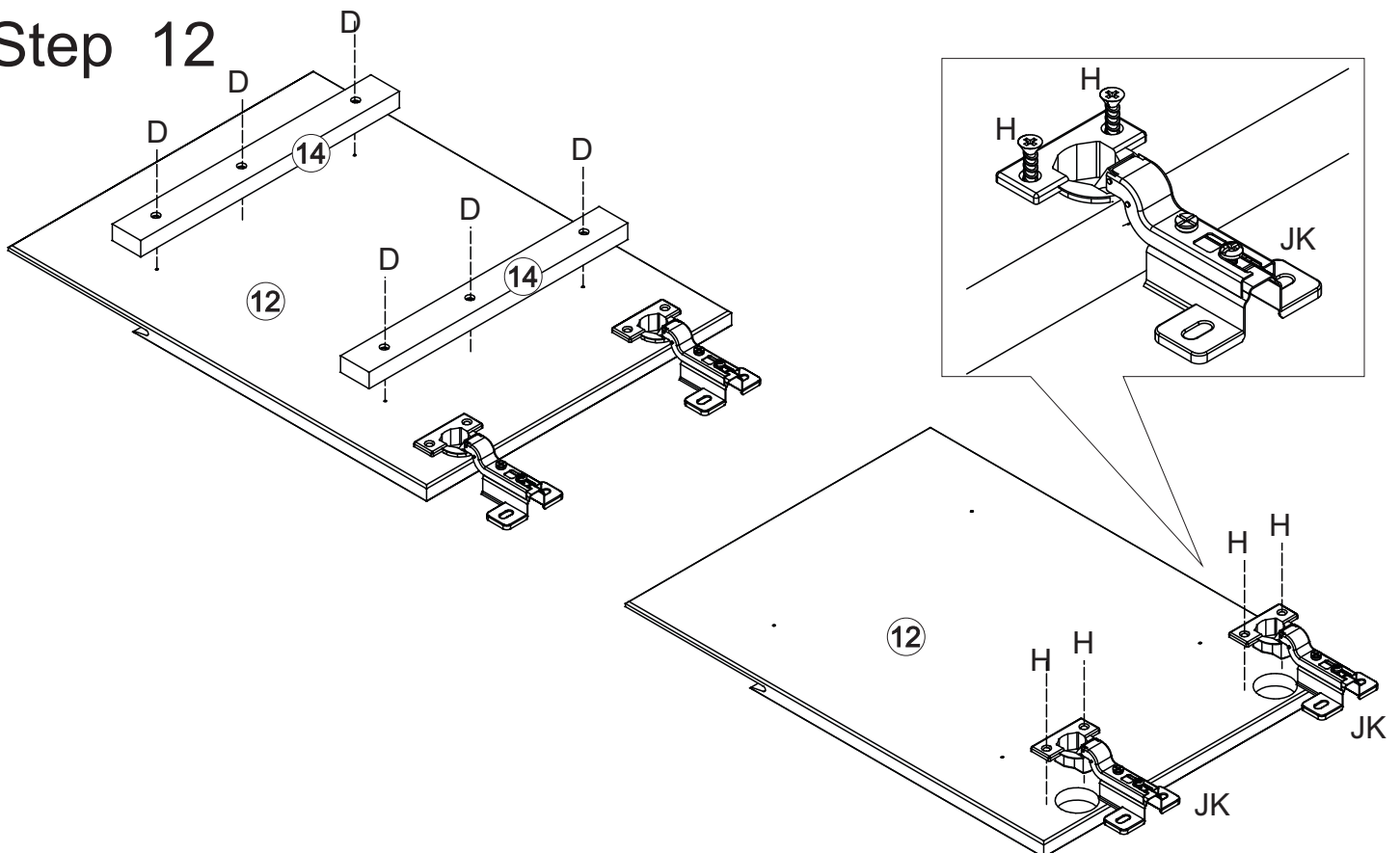
Secure part (9) to part (6) with screw (B).

Step 11



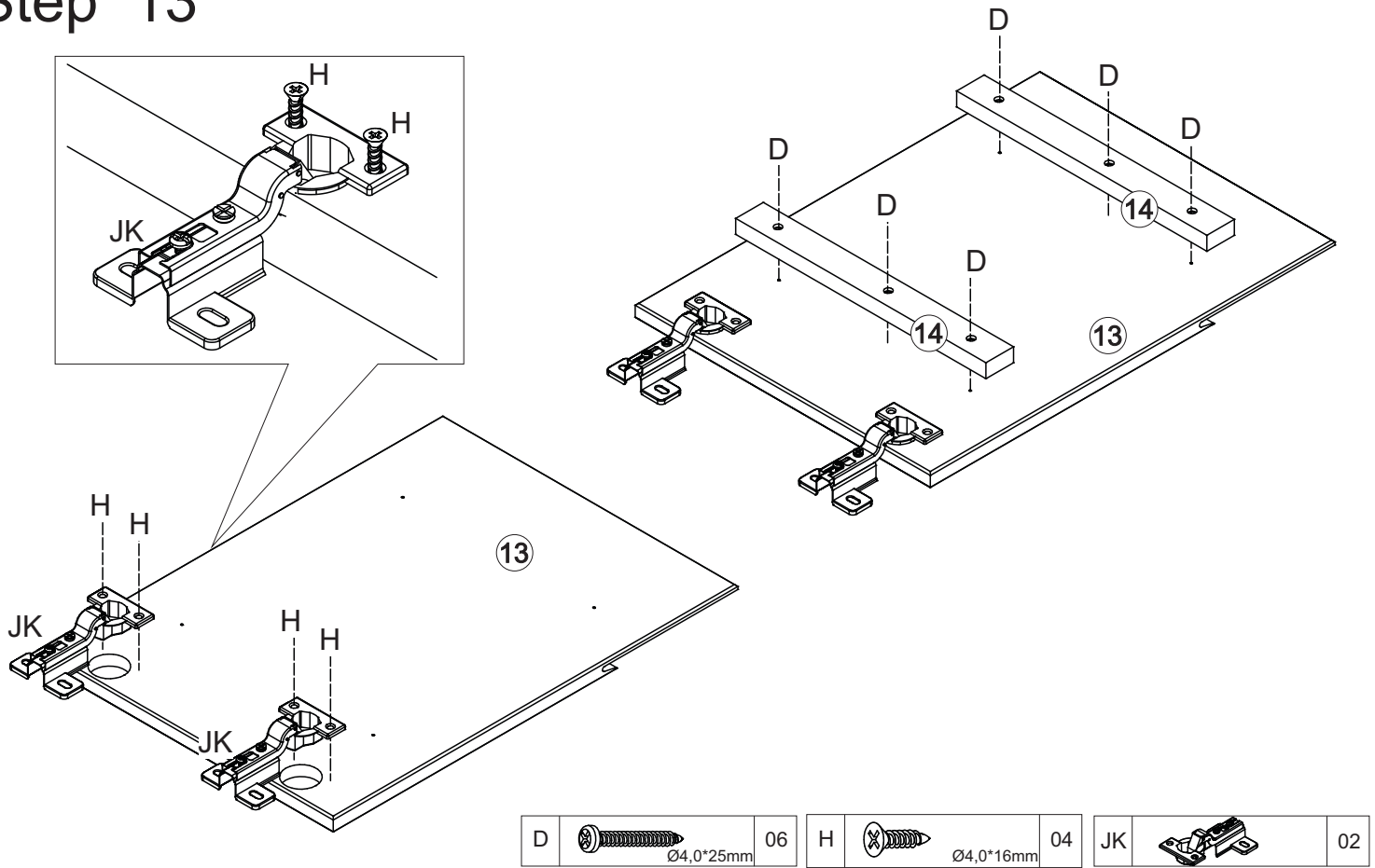
Secure back panel (10) to body with nails (M)

Step 12



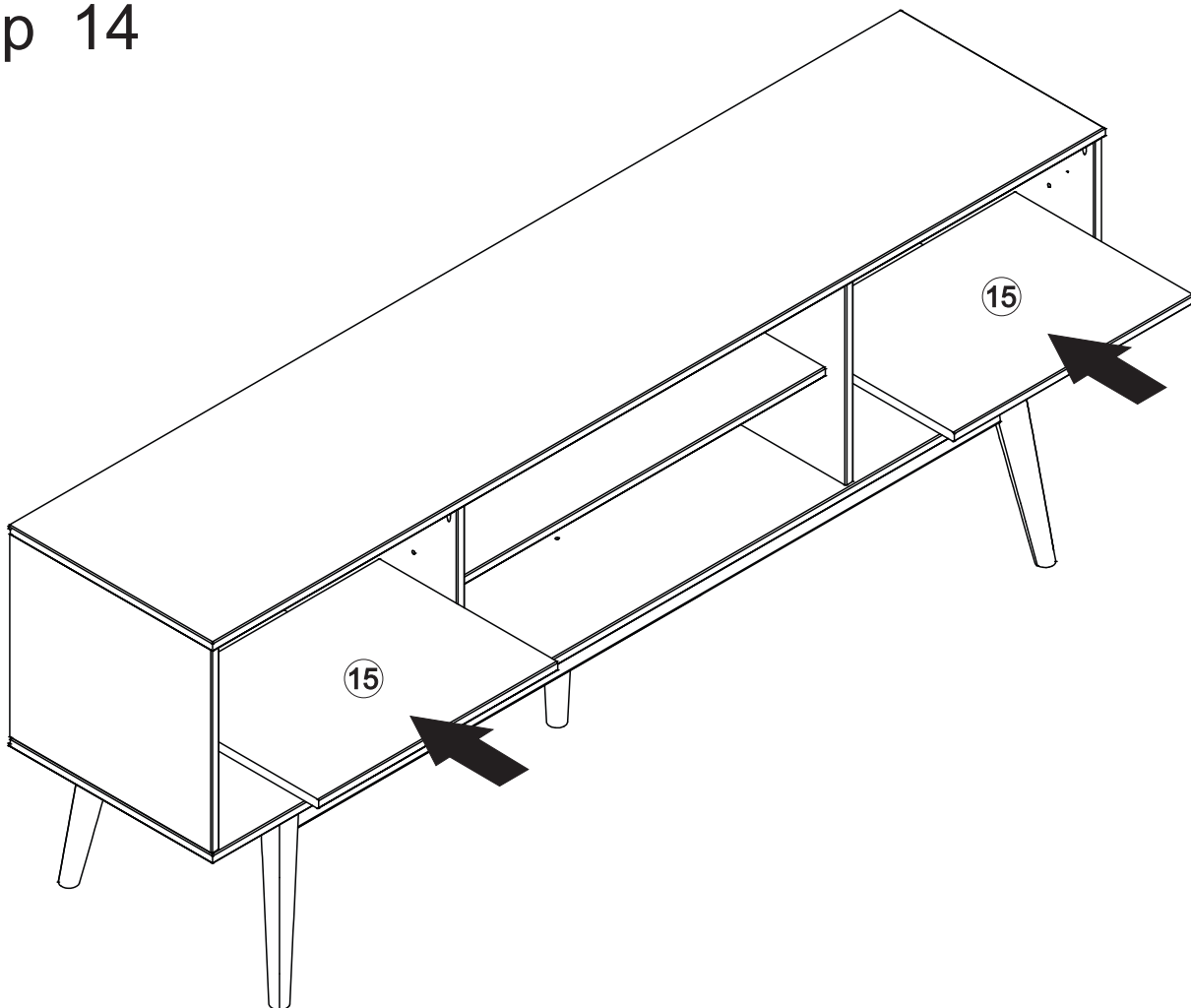
Secure part (14) to part (12) with screw (D).
Attach hardware (JK) part (12), with screw (H).

Step 13

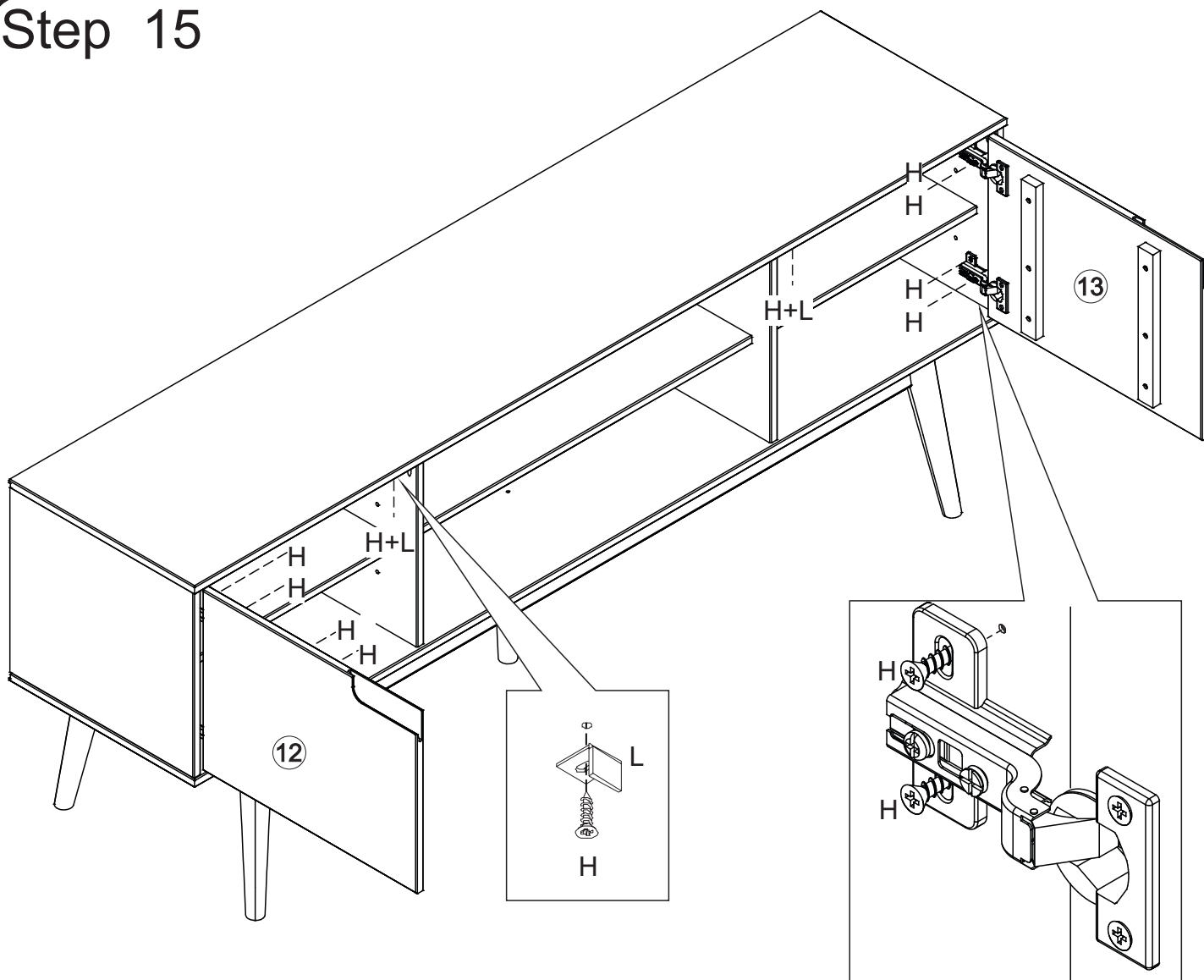




Secure part (14) to part (13) with screw (D).
Attach hardware (JK) part (13), with screw (H).

Step 14

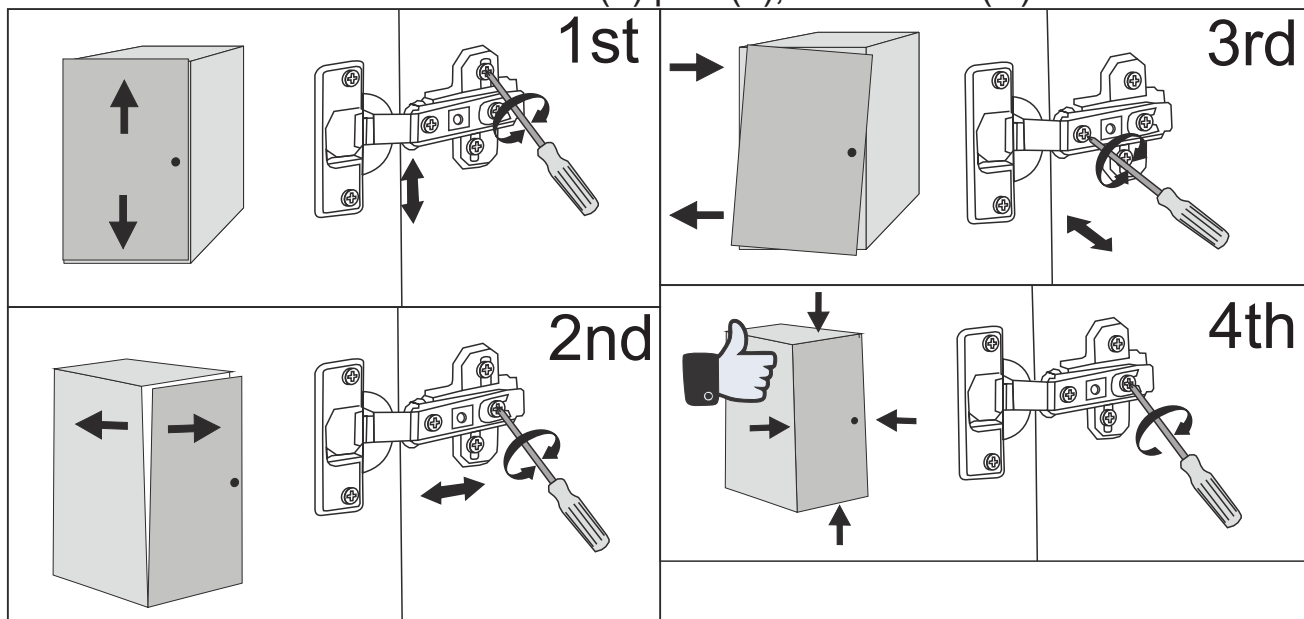


Step 15

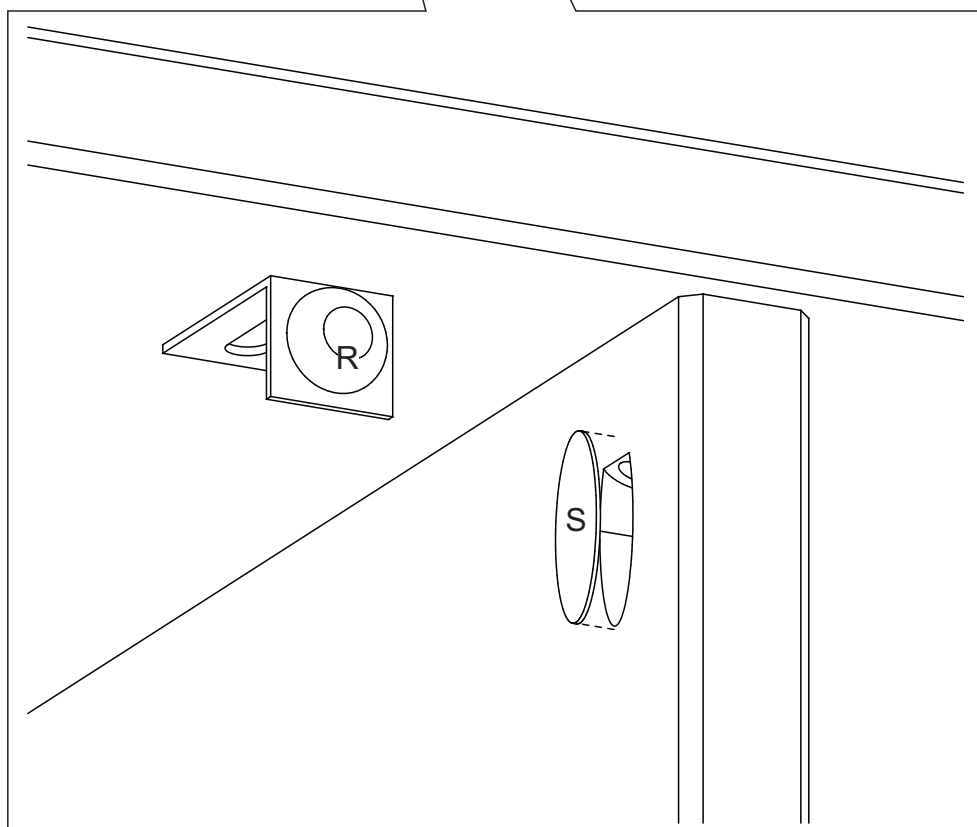
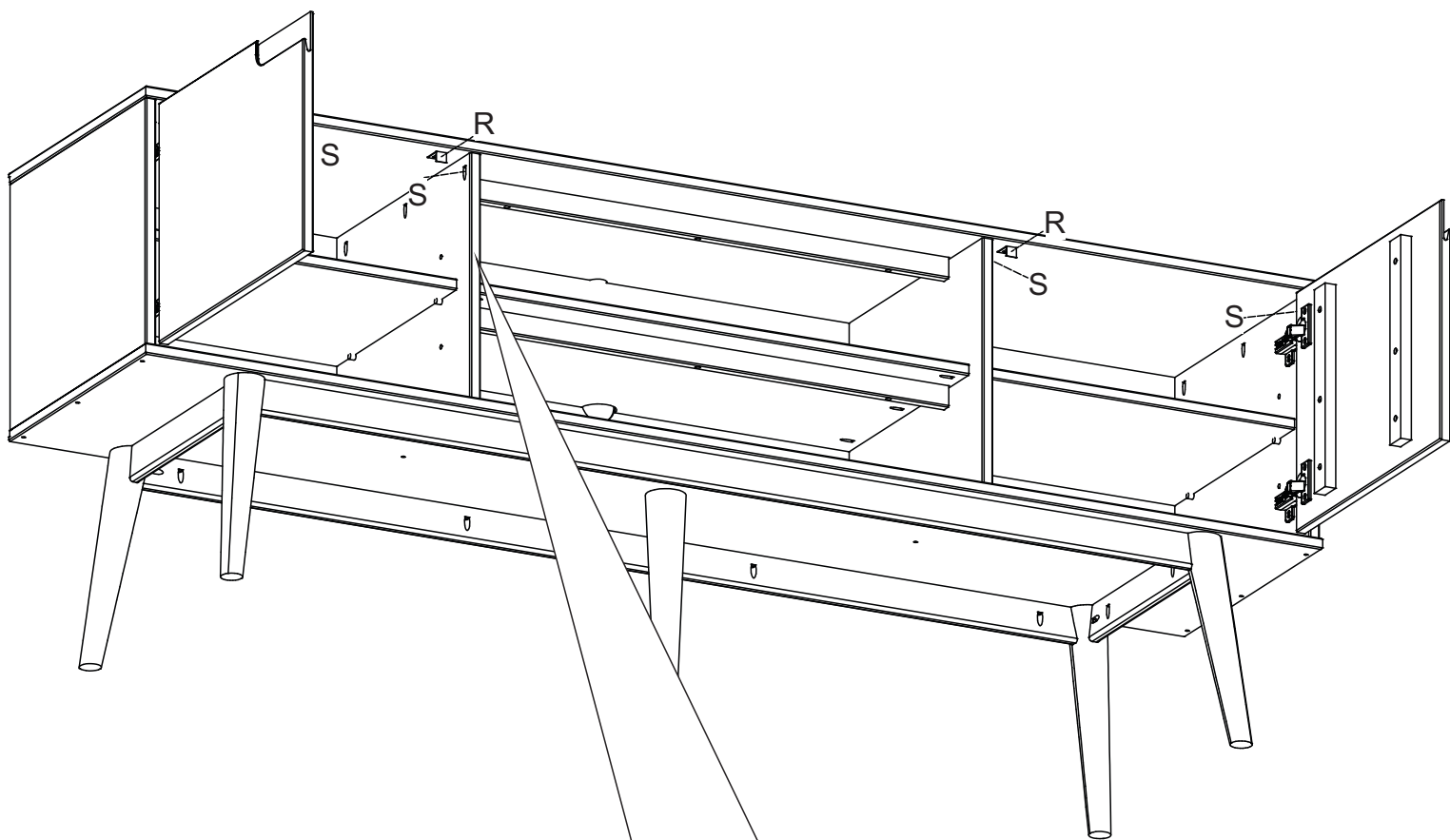


H		Ø4,0*16mm	10	L		02
---	---	-----------	----	---	---	----

Secure part (12), (13) to part (2) and (3), with screw (H).
 Attach hardware (L) part (1), with screw (H).



Step 16



R		02	S		04
---	---	----	---	---	----

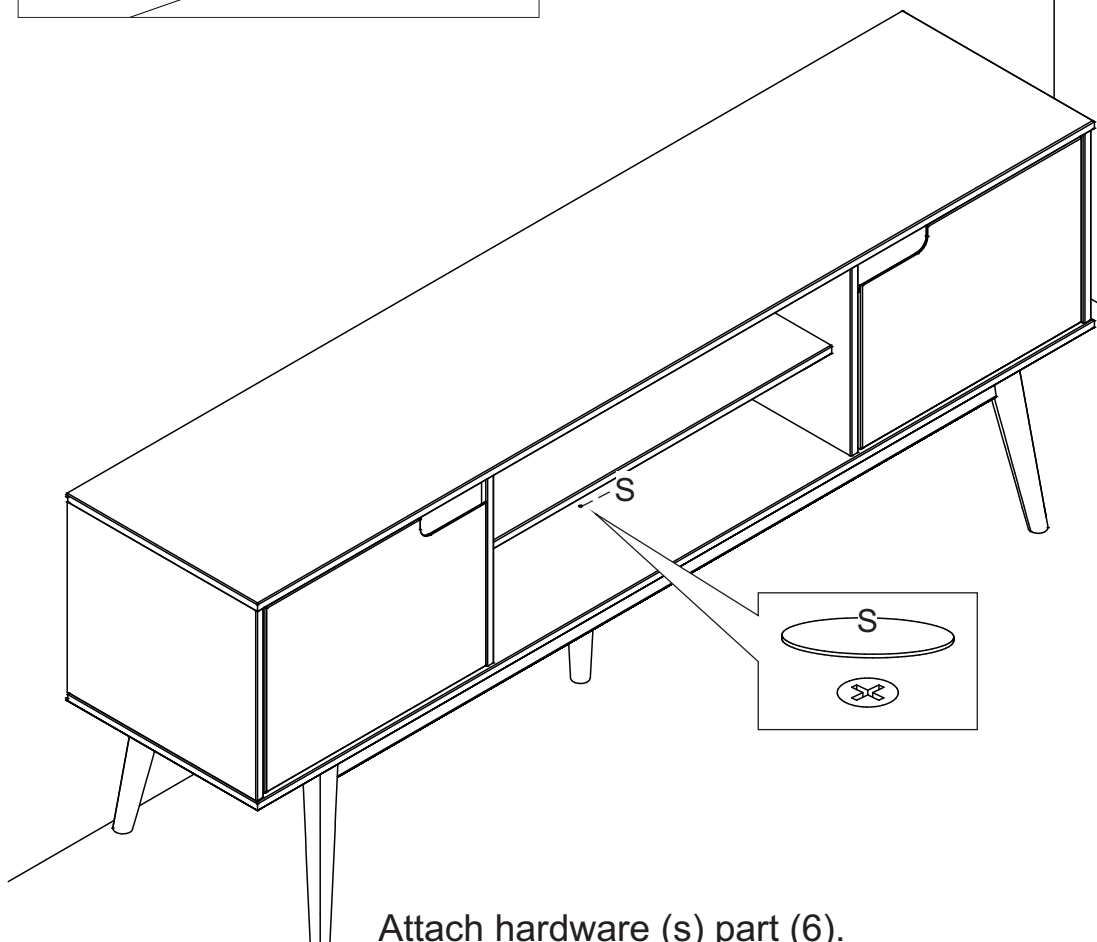
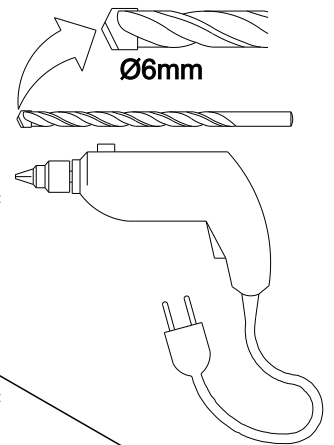
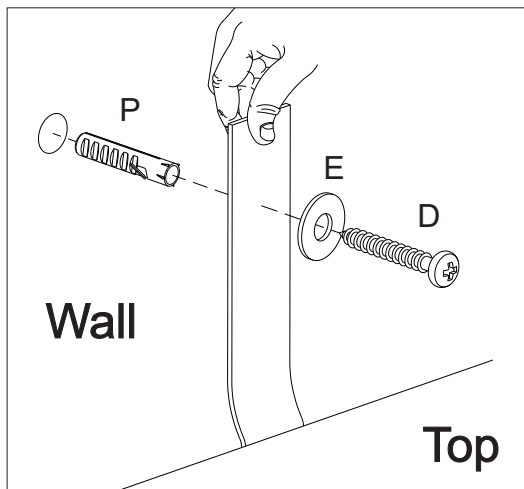
Attach hardware (R) in hardware (L).
Attach hardware (s) part (2), (3), (4) and (5).

Step 17





WARNING

Serious or fatal injuries can occur from furniture tipping over. To prevent the furniture from tipping over we recommend that it is permanently fixed to the wall.

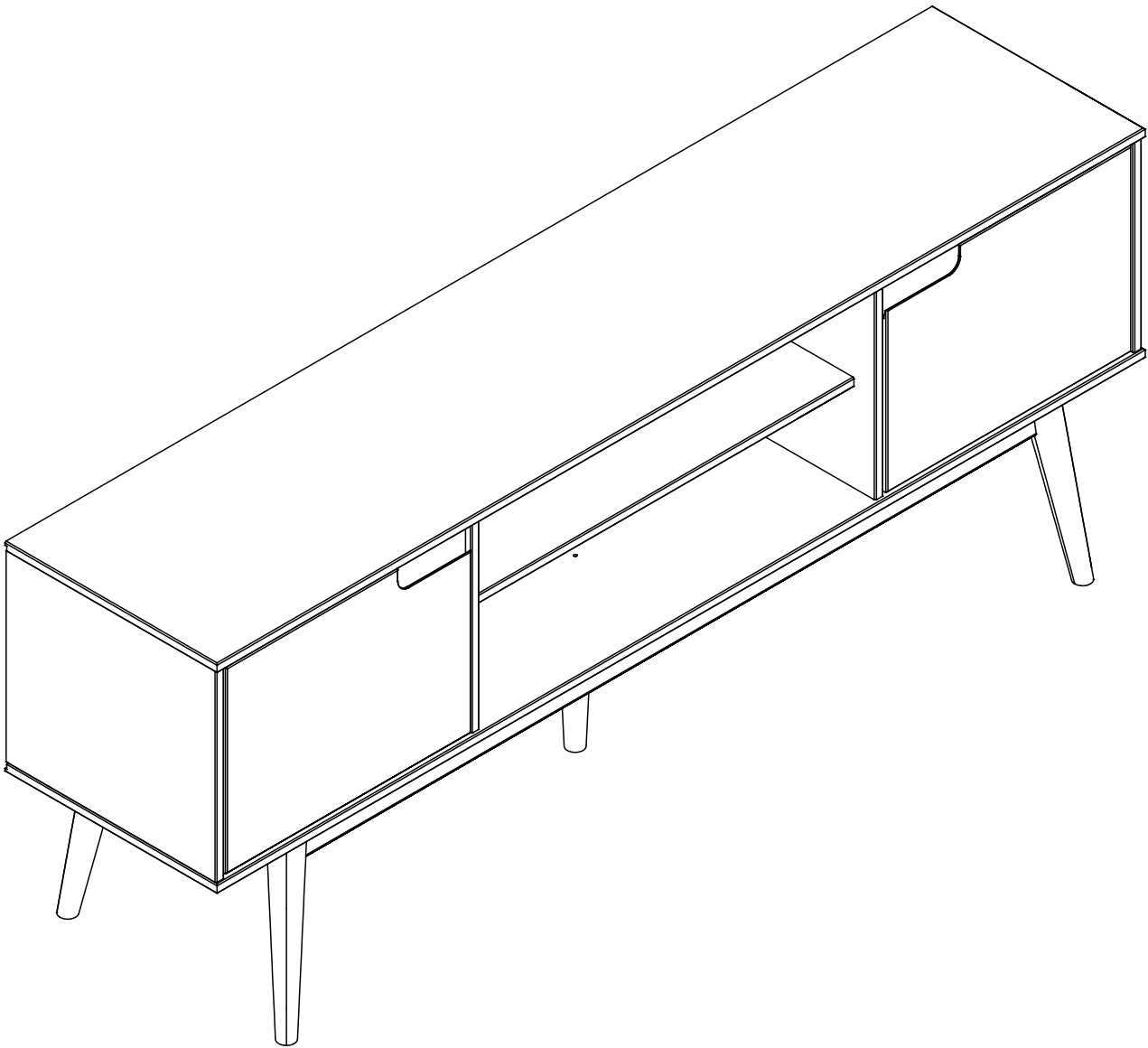
Wall anchor and hardware are included with this product. Please make sure hardware is suitable for your walls before installing, as different wall materials may require different types of anchors.



Attach hardware (s) part (6).

D		01
E		01
P		01
S		01

Step 18



Assembly Complete!

Maintenance Guide

To maintain long term performance and easy gliding of your solid wood drawers, we recommend applying wax to the wooden guide rails.

1. Bee's wax is recommended or Paraffin wax from a standard candle can be used.
2. Apply the wax by rubbing it on the wooden guide rails where there is wood-on-wood contact when opening and closing the drawer. (Wax should be room temperature, do not melt the wax onto the wood)
3. Wax should be applied every few months for the first year and then only when needed after that to keep the drawers sliding smoothly.